

ZX8000 H



CINEMECCANICA



LANTERNA ZX8000H

Riferimento gruppi

Assembly references

Dis. D10445

	Misure d'ingombro ZX8000H	8685	Overall dimensions
	Schema elettrico ZX8000H	001L8X00	Wiring diagram ZX8000H
	Tabella adattatori per lampade	8657	Bulb adaptors list
	Raffreddamento lampada	8887	Lamp cooling
Fig.1	Chiusura fori regolazioni	D10445-1	Adjustment holes shutter plate
Fig.2	Interruttore portina	D10445-2	Door microswitch
Fig.3	Gruppo serranda	D10445-3	Dowser assembly
Fig.4	Gruppo ventilazione	D10445-4	Blower assembly
Fig.5	Componenti vari	D10445-5	Different items
Fig.6	Interr.sicurezza ventilazione	D10445-6	Blower safety switch
Fig.7	Dispositivo portalampada	D10445-7	Lampholder assembly
Fig.8	Terminale positivo completo	D10445-8	Positive cable assembly
Fig.9	Spia cratere lampada	D10445-9	Sight window
Fig.10	Derivatore	D10445-10	Shunt
Fig.11	Pannello di controllo	D10445-11	Control panel
Fig.12	Serranda automatica	D10445-12	Automatic dowser
Fig.13	Filtro calore	D10445-13	Heat filter
Fig.14	Interruttore sicurezza aspirazione	D10445-14	Exhauster safety switch

-1001014 -Vite M5x25
 -1016011 -Vite M4x10 DIN7985
 -1019003 -Vite autof.4,2x9,5 UN16954
 -2803012 -Maniglia
 -2816023 -Ventilatore assiale
 -000726 -Cono per V8
 -002251 -Cono per V5
 -D07200 -Filtro colore completo
 -D10834 -Roccordo per aeipiozione
 -D10882 -Roccordo ospiraz (Film 35mm)
 -D10887 -Raccordo aspiraz (Film 70mm)
 -D10534 -Serranda automatico compl.

-1001014 - M5x25 screw
 -1016011 - M4x10 DIN7985 screw
 -1019003 - Dia.4,2x9,5 UN16954 screw
 -2803012 - Handle
 -2816023 - Exhaust fan
 -000728 - V8 cone
 -002251 - V5 cone
 -D07200 - Heat filter assembly
 -D10834 - Intake air tube (Standard)
 -D10882 - Intake air tube (35mm film)
 -D10887 - Intake air tube (70mm film)
 -D10534 - Automatic dowser assembly

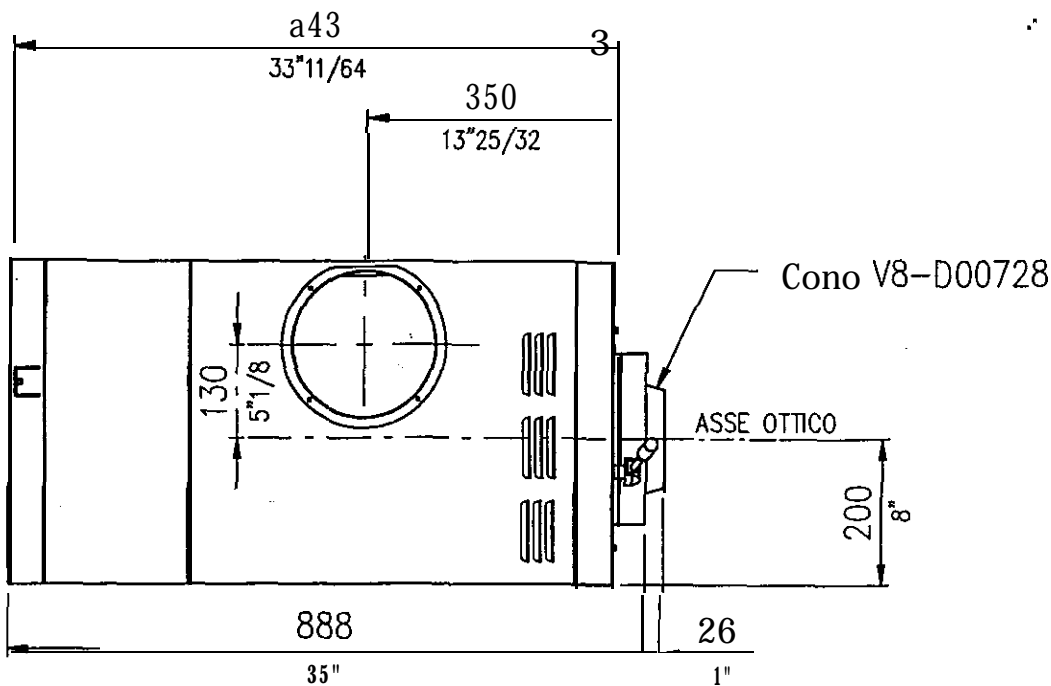
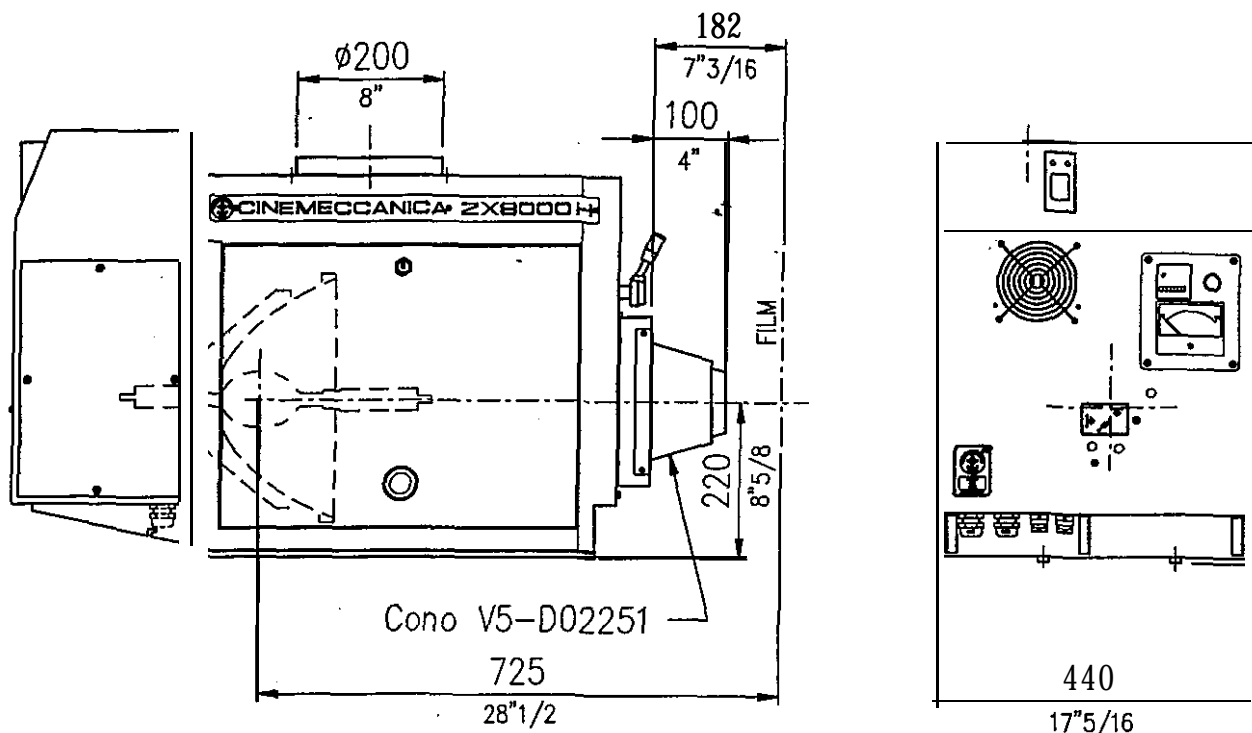
-1001014 -Vis M5x25
 -1016011 -Vis M4x10 DIN7985
 -1019003 -Vis 4,2x9,5 UN16954
 -2803012 -Poignée
 -2816023 -Aspirateur supplémentaire
 -000728 -Cône pour V8
 -002251 -Cône pour V5
 -D07200 -Filtre chaleur complet
 -D10834 -Tube d'ospiroton Standard)
 -D10882 -Tube d'ospiroton Film 35mm)
 -D10887 -Tube d'ospiroton (Film 70mm)
 -D10534 -Volet outomotique complet



MISURE D'INGOMBRO LANTERNA ZX8000H

Overall dimensions

Dis.8685



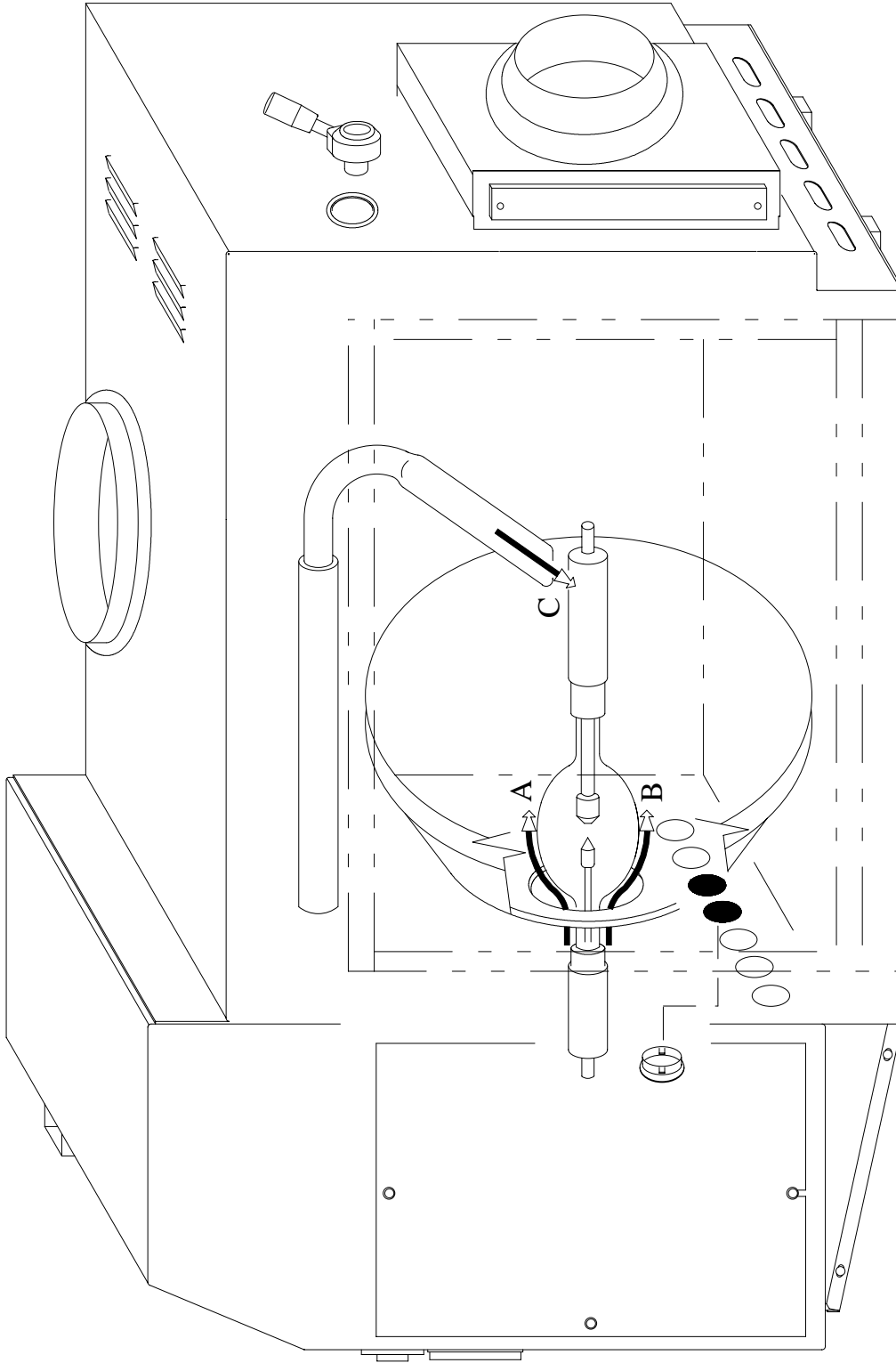


LANTERNA ZX8000H

Raffreddamento lampada

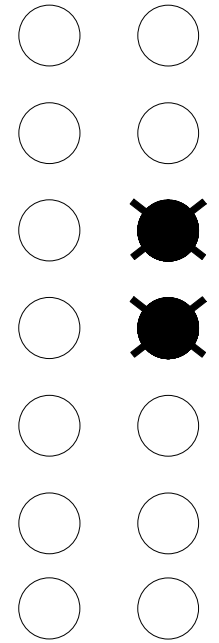
Lamp cooling

Dis. 8887



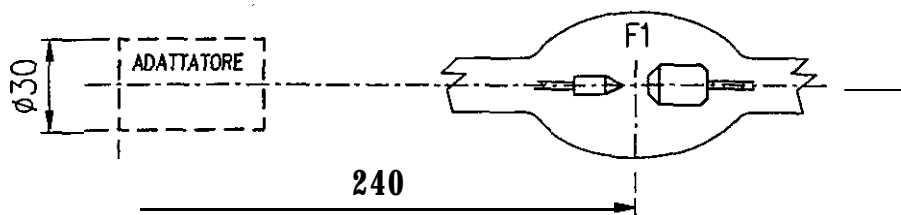
LAMPADA 3000W - 5000W
Lamp

LAMPADA 6000W - 8000W
Lamp

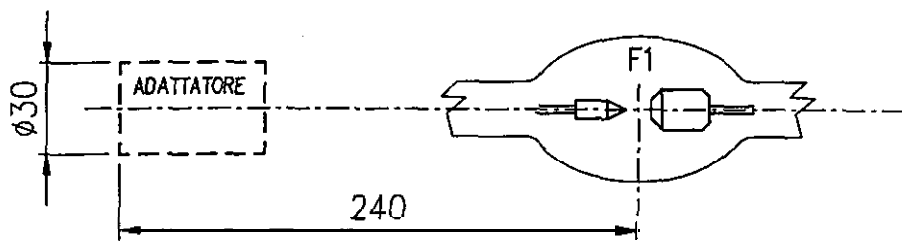


VELOCITA' ARIA A e B 10.5 m/sec C 5 m/sec
Air cooling

VELOCITA' ARIA A e B 12.5 m/sec C 7 m/sec
Air cooling



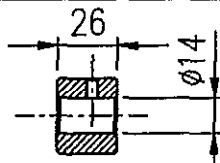
DIMENSIONI mm.	N.disegno	TIPO DI LAMPADA
	D07340	XBO 2500 W/HS OFR -OSRAM- XBO 2000 W/HS OFR XBO 3000 W/HS OFR -OSRAM- UXL 20 SC -USHIO- UXL 25 SC -USHIO- UXL 30 SC -USHIO-
	D07341	UXL 3000 HK-0 -USHIO- UXL 3601 HK-0 -USHIO-
	D06784	XBO 4000 W/HS OFR -OSRAM- XBO 5000 W/HBM OFR XBO 7000 W/HS OFR -OSRAM- UXL 40 SC -USHIO- UXL 70 SC -USHIO- UXL 80 SC
	D07342	UXL 2003 HKL-0 -USHIO-
	D07343	XBO 3000 W/H -OSRAM-
	D07344	XBO 3000 W/HTP -OSRAM-
	D07345	XBO 5000 W/H OFR -OSRAM- XM 5000-5H/VC -ORC- UXL 5000 HR -USHIO-
	D06849	UXL 6000 HK-0 -USHIO-
	D08058	UXL 4000 HA -USHIO-



DIMENSIONI mm.

N.disegno

TIPO DI LAMPADA



D11084

UXL 6000 HN

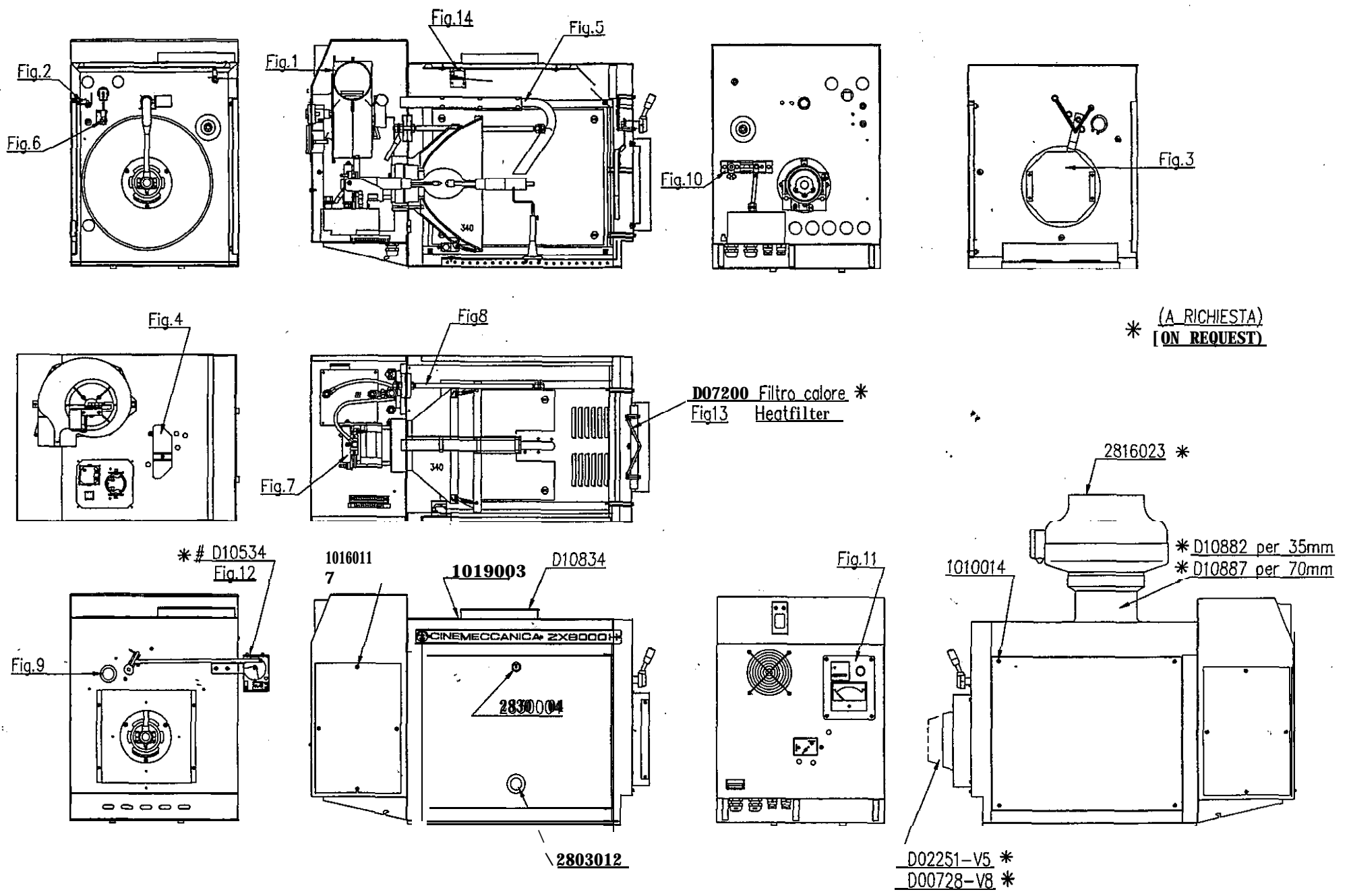
-USHIO-



LANTERNA ZX8000H

Riferimento gruppi-Assembly references

Dis.D10445





LANTERNA ZX8000H

Chiusura fori regolazioni — Adjustment holes shutter plate

Dis. D10445-1

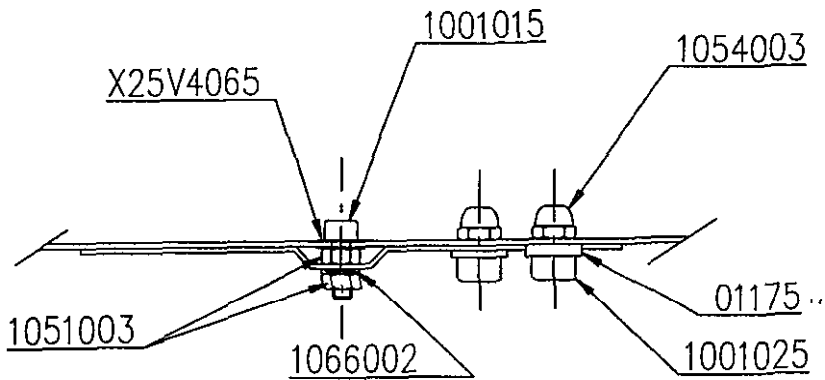
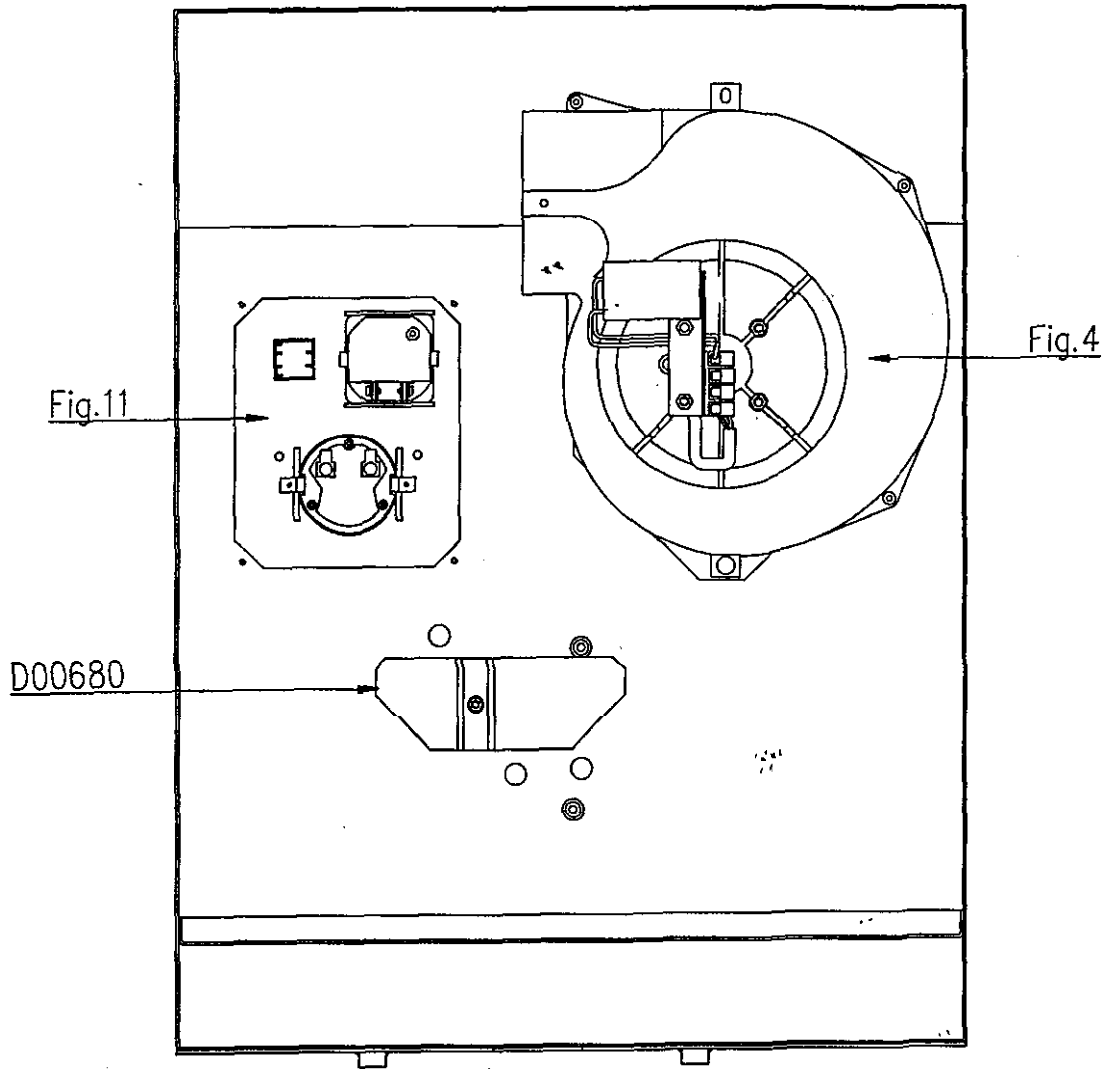


Fig. 1

Disegnato	Data	Agglomerato
MC	05-02-99	

Cont'd



LANTERNA ZX8000H

In terru ttore portina

Door microswitch

Dis. D10445-

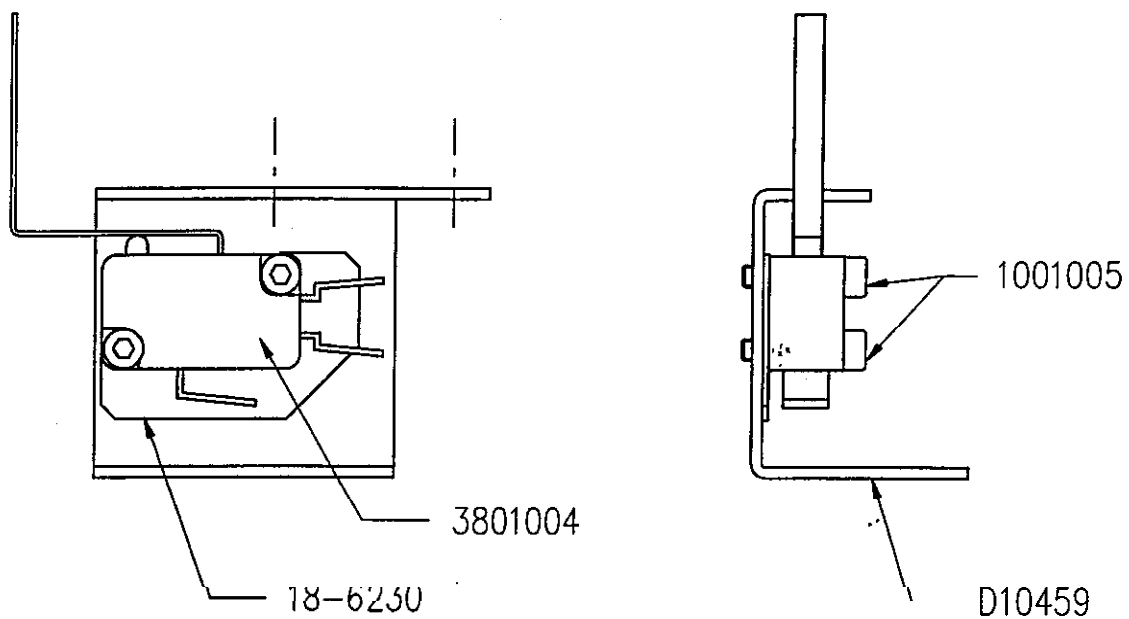


Fig.2

Disegnato	Data	Aggiornato	
MC	05-02-00		Scala

LANTERNA ZX8000H

Fig.1

Chiusura fori regolazioni	Adjustment holes shutter plate	Fermeture trous de réglage
<ul style="list-style-type: none"> -01175 - Rosetta -1001015 - Vite M4x16 UN15931 -1001025 - Vite M5x12 UN15931 -1051003 - Dado esag.M4 UN15588 -1054003 - Dado esag.M5 UN15721 -1066002 - Rosetta dia.4 UN18842 -X25V4065 - Rosetta elastica -D00680 - Ohi usura fori 	<ul style="list-style-type: none"> -01175 - Washer -1001015 - M4x16 UN15931 screw -1001025 - M5x12 UN15931 screw -1051003 - M4 UN15588 nut -1054003 - M5 UN15721 nut -1066002 - Dia.4 UNI8842 washer -X25V4065 - Elastic washer -000680 - Holes shutter plate 	<ul style="list-style-type: none"> -01175 - Rondelle -1001015 - Vis M4x16 UN15931 -1001025 - Vis M5x12 UN15931 -1051003 - Ecrou M4 UN15568 -1054003 - Ecrou M5 UN15721 -1066002 - Rondelle dia.4 UN18842 -X25V4065 - Rondelle elastique -000680 - Fermeture des trous

LANTERNA ZX8000H

Fig.2

Interruttore portina	Door microswitch	Interrupteur de la porte
<ul style="list-style-type: none"> -1001005 - Vite M3x14 UN15931 -3801004 - Micro interruttore -18-6230 - Isolante -D10459 - Supporto 	<ul style="list-style-type: none"> -1001005 - M3x14 UN15931 screw -3801004 - Microswitch -18-6230 - Insulating plate -D10459 - Bracket 	<ul style="list-style-type: none"> -1001005 - Vis M3x14 UN15931 -3801004 - Micro-interrupteur -18-6230 - Isolant -D10459 - "Support



LANTERNA ZX8000H

Gruppo serranda

Dowser assembly

Dis. D10445-3

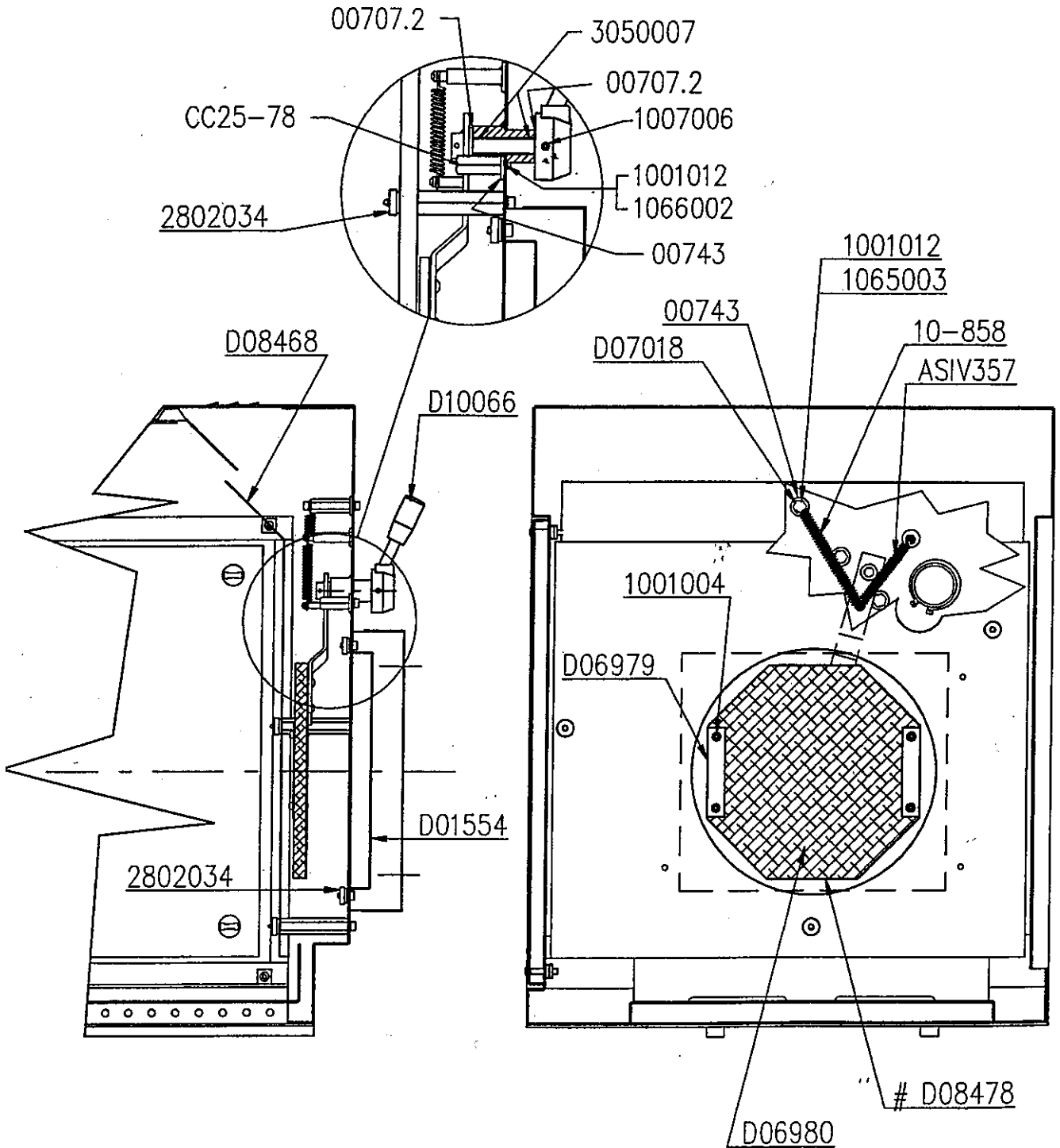


Fig. 3

Disegnato	Data	Aggiornato
MC	05-02-99	

Scala



LANTERNA ZX8000H

Gruppo ventilazione

Blower assembly

Dis. D10445-4

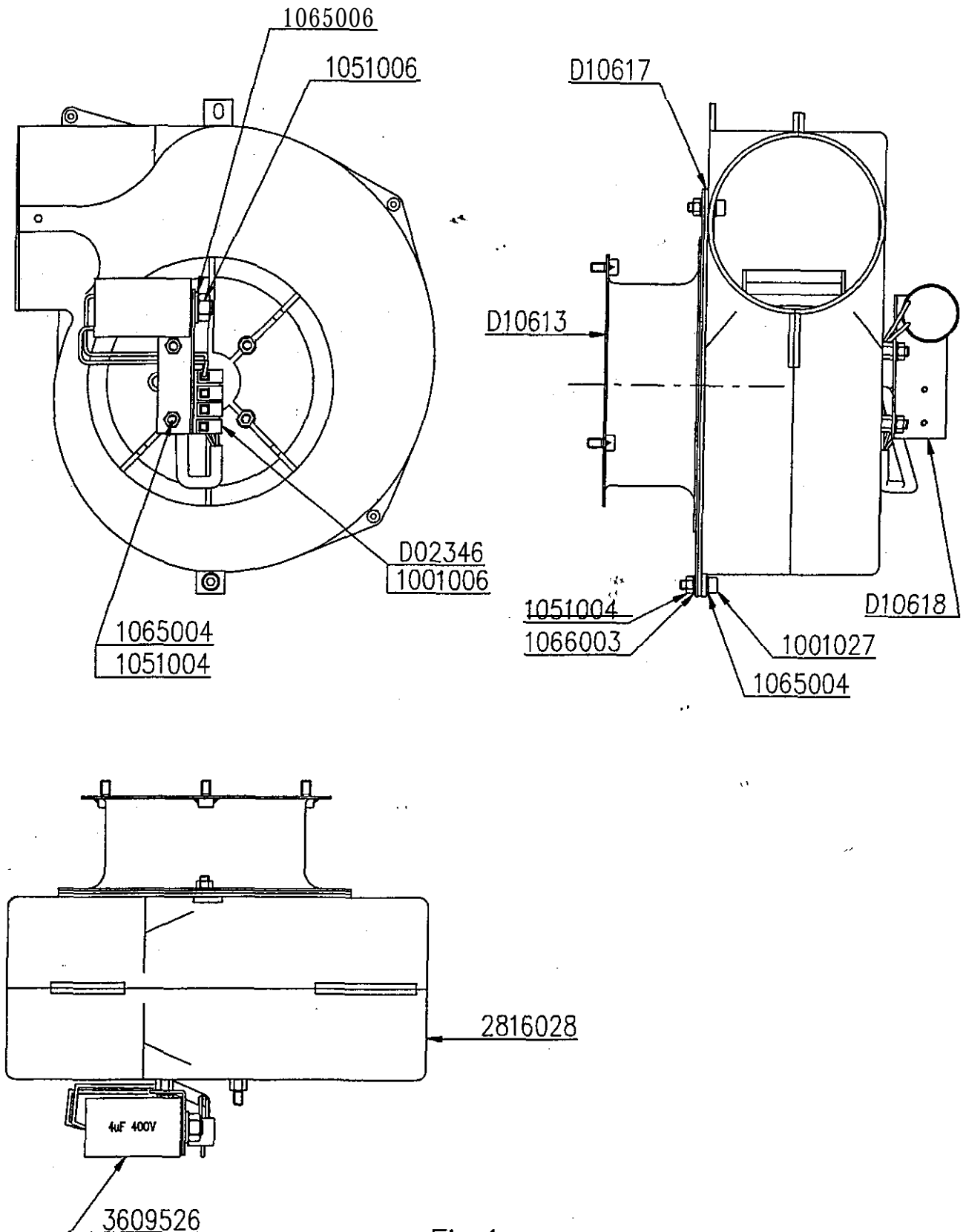


Fig.4

Disegnato	Data	Agglomerato
MC	05-02-99	

Scala

LANTERNA ZX8000H

Fig

Gruppo serranda	Dowser assembly	Volet complet
-00707-2 - Rosetta -00743 - Rosetta -10-858 - Molla -1001004 - Vite M3x12 UN15931 -1001012 - Vite M4x10 UN15931 -1007006 - Vite M4x8 UN15929 -1065003 - Rosetta dia.4 UN16592 -1066002 - Rosetta dia.4 UN18842 -2802034 - Manopola zigrinato -3050007 - Boccola -ASIV357 - Molla -CC25-78 - Colonnina fennaserranda -D01554 - Foderina supporto filtro -D06979 - Piastrina -D06980 - Isolante termico -D07018 - Penno -D08468 - Protezione colore -D08478 - Serrando completa -D10066 - Leva	-00707-2 - Washer -00743 - Washer -10-858 - Spring -1001004 - M3x12 UN15931 screw -1001012 - M4x10 UN15931 screw -1007006 - M4x8 UN15929 screw -1065003 - Dia.4 UN16592 washer -1066002 - Dia.4 UN18842 Washer -2802034 - Knob -3050007 - Bushing -ASIV357 - S ring -CC25-78 - S&d -D01554 - Heat filter frame -D06979 - Plate -D06980 - Heat shield -D07018 - Spindle -D08468 - Heat shield panel -D08478 - Dowser assembly -D10066 - Lever	-00707-2 - Rondelle -00743 - Rondelle -10-858 - Ressort -1001004 - Vis M3x12 UN15931 -1001012 - Vis M4x10 UN15931 -1007006 - Vis M4x8 UN15929 -1065003 - Rondelle dia.4 UN16592 -1066002 - Rondelle dia.4 UN18842 -2802034 - Poignée moletée -3050007 - Isolant -ASIV357 - Ressort -CC25-78 - Prissonnier arrêt volet -D01554 - Support filtre chaleur -D06979 - Plaquette -D06980 - Protection chaleur -D07018 - Axe -D08468 - Protection chaleur -D08478 - Volet -D10066 - Levier

LANTERNA ZX8000H

Fig.

Gruppo ventilazione	Blower assembly	Soufflerie
1001027 - Vite M5x16 UN15931 1051004 - Dado esag.M5 UN15588 1051006 - Dado esag.M8 UN15588 1065004 - Rosetta dia.5 UN16592 1065006 - Rosetta dia.8 UN16592 2816028 - Ventilatore 3609526 - Condensatore 4uF 400V 102346 - Morsettiara 110613 - Roccordo flangiato 110617 - Guomizione 110618 - Supporto	-1001027 - M5x16 UN15931 screw -1051004 - M5 UN15588 nut -1051006 - M8 UN15588 nut -1065004 - Dia.5 UN16592 washer -1065006 - Dia.8 UN16592 washer -2816028 - Blower -3609526 - 4uF 400V capacitor -D02346 - Terminal board -D10613 - Flanged pipe -D10617 - Gasket -D10618 - Bracket	-1001027 - Vis M5x16 UN15931 -1051004 - Écrou M5 UN15588 -1051006 - Écrou M8 UN15588 -1065004 - Rondelle dia.5 UN16592 -1065006 - Rondelle dia.8 UN16592 -2816028 - Soufflerie -3609526 - Condensateur 4uF 400V -D02346 - Bornier -D10613 - Raccord à brides -D10617 - Joint -D10618 - support

D07200

LANTERNA ZX8000H

Fig.13

Filtro calore completo

Heat filter assembly

Filtre chaleur complet

-00299 - Bottone M4
 -1001001 - Vite M3x16 UN15931
 -1001003 - Vite M4x10 UN15931
 -1065002 - Rosetta dia.3 UN16592
 -1065003 - Rosetta dia.4 UN16592
 -3614023 - Distanziolate
 -D00732 - Filtro calore (2 Pz)
 -D01554 - Supporto
 -D07015 - Telaio filtro calore
 -D07016 - Colonna
 -D07017 - Squodretta fermaspecchio
 -D07201 - Rosetta tenuta filtro

-00299 - Fastening knob
 -1001001 - M3x16 UN15931 screw
 -1001003 - M4x10 UN15931 screw
 -1065002 - Dia.3 UN16592 washer
 -1065003 - Dia.4 UN16592 washer
 -3614023 - Spacer
 -D00732 - Heat filter (2 Rs)
 -D01554 - Support
 -D07015 - Frame
 -D07016 - Spacer
 -D07017 - Filter stopper
 -D07201 - Washer

-00299 - Poignée
 -1001001 - Vis M3x16 UN15931
 -1001003 - Vis M4x10 UN15931
 -1065002 - Rondelle diam 3 UN16592
 -1065003 - Rondelle diam 4 UN16592
 -3614023 - Entretaise
 -D00732 - Filtre chaleur (2 Rs)
 -D01554 - Support
 -D07015 - Cadre
 -D07016 - Entretaise
 -D07017 - Plaquette de fixation
 -D07201 - Rondelle

D10584

LANTERNA ZX8000H

Fig.1 4

In terr.sicurezza aspiraz.

Exhauster 'safety switch

Interr.sécurité aspirateur

1001005 - Vite M3x14 UN15931
 18-6230 - Isalante
 D10585 - Supporto
 D10803 - Microinterruttore completo

-1001005 - M3x14 UN15931 screw
 -18-6230 - Insulating plate
 -D10585 - Bracket
 -D10803 - Microswitch assembly

-1001005 - Vis M3x14 UN15931
 -18-6230 - Isolant
 -D10585 - support
 -D10803 - Micro-interrupteur complet



LANTERNA ZX8000H

Interrutt.sicurezza aspirazione - Exhauster safety switch

Di s.D10445-14

010584

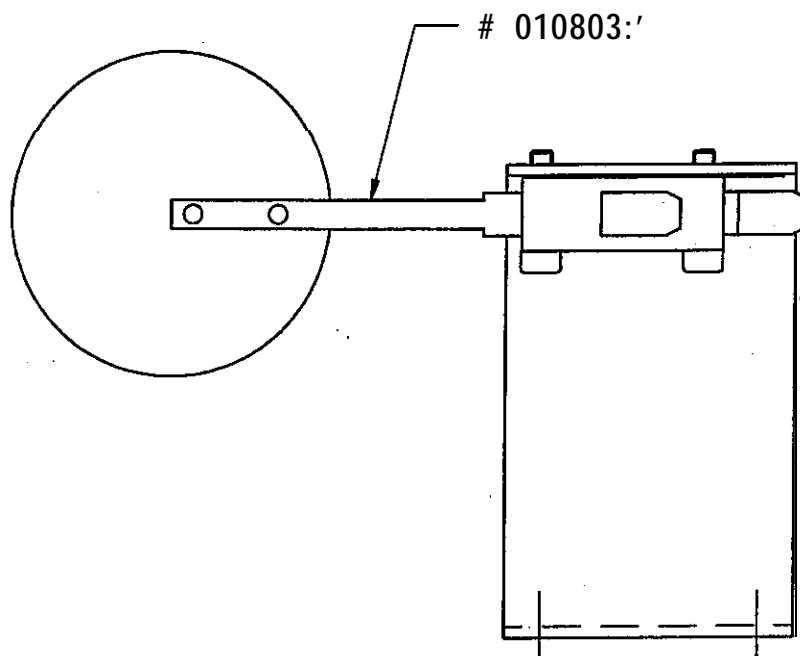
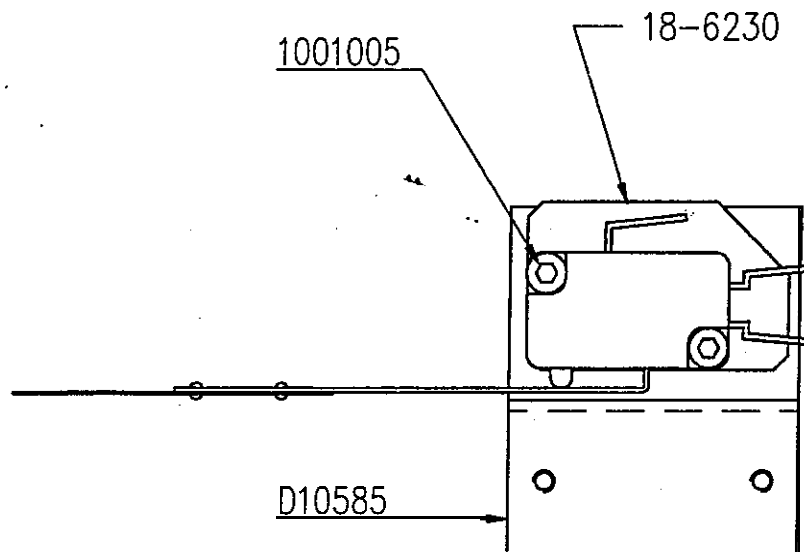


Fig.1 4

Disegnato	Data	Agglomerato
MC	M-0.5-99	

Scala

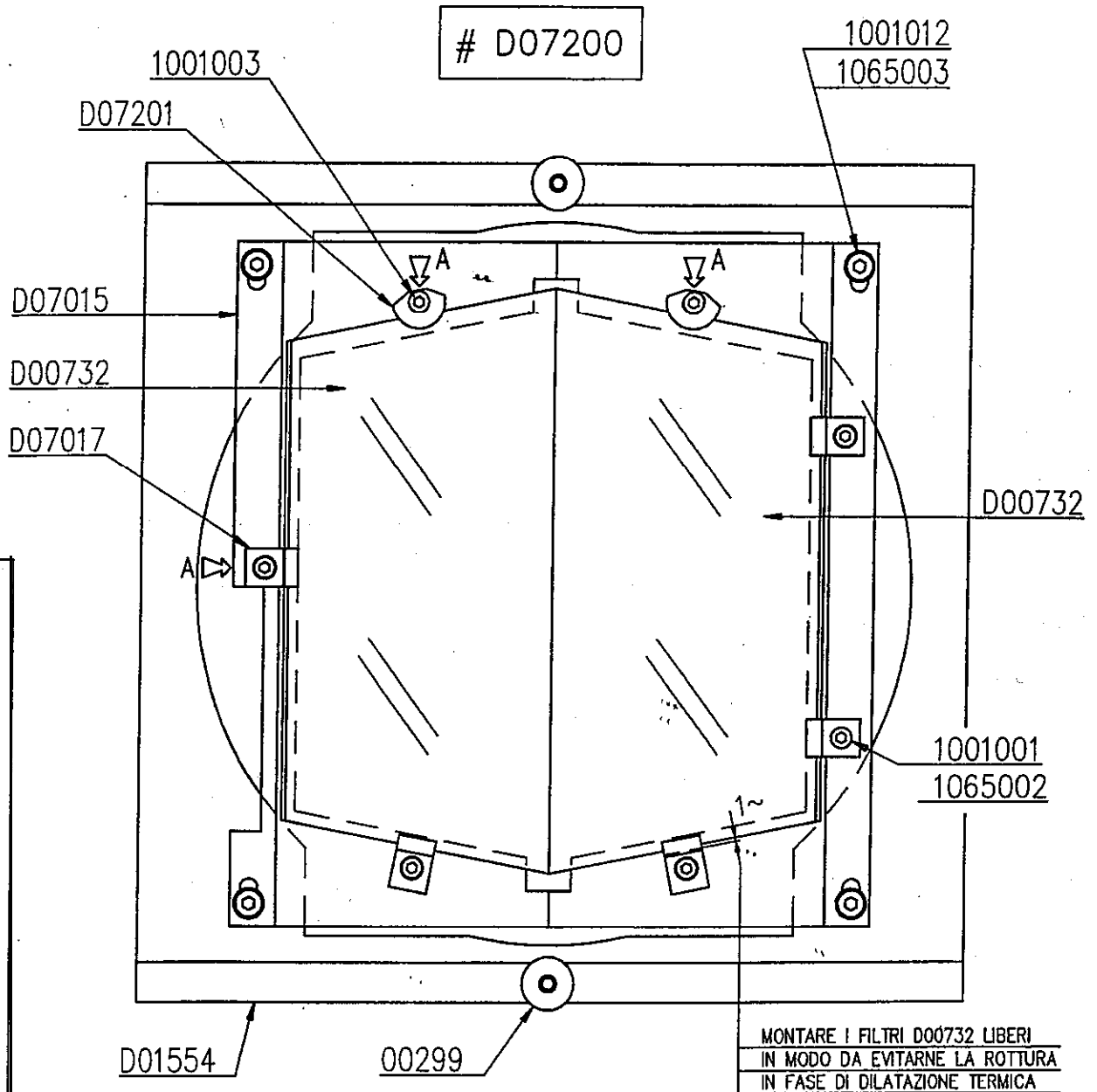


LANTERNA ZX8000H

Fil tro calore

Heat filter

Dis. D10445-13



PER SOSTITUIRE I FILTRI D00732 ALLENTARE LE VITI
CONTRASSEGATE CON LA LETTERA "A".
TO REPLACE FILTERS D00732 TAKE OUT BRACKETS "A".

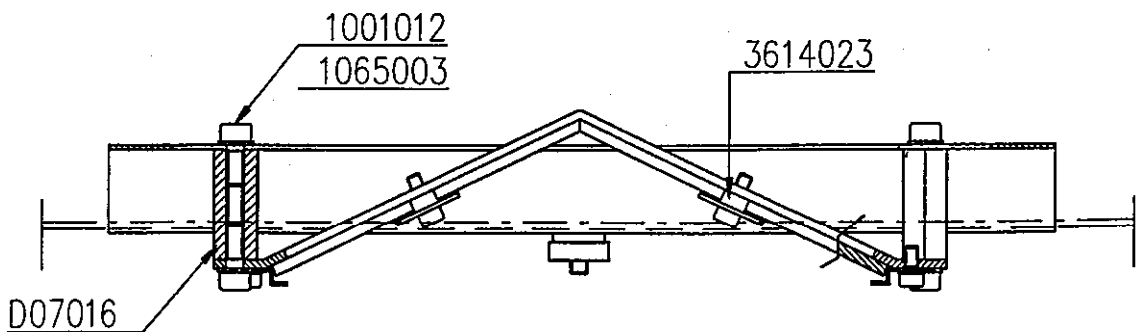


Fig.13

segnato	Data	Aggiornato	
MC	16-03-99		Scala

LANTERNA ZX8000H

Fig.1 1

Pannello di controllo	Control panel	Panneau de contrôle
-3814007 - Amperometro 50-200A -3815001 - Contoore 220V 50Hz -3815002 - Contoore 220V 60Hz -007673 - Pannello strumento -DX2-3385 - Pulsante accensione	-3814007 - 50-200A ammeter -3815001 - 50Hz hour meter -3815002 - 60Hz hour meter -007673 - Instrument panel -DX2-3385 - Push-button	-3814007 - Ampremetre -3815001 - Compteur horaire 50Hz -3815002 - Compteur horaire 60Hz -D07673 - Pannau instruments -DX2-3385 - Bouton omrcege

D10534

LANTERNA ZX8000H

Fig.1 2

Serranda automatica	Automatic dowser	Volet automatique
-1001001 - Vite M3x6 UN15931 -1001002 - Vite M3x8 UN15931 -1001003 - Vite M3x10 UN15931 -1001004 - Vite M3x12 UN15931 -1001006 - Vite M3x16 UN15931 -1001010 - Vite M4x6 UN15931 -1007006 - Vite M4x8 UN15929 -1011066 - Vite M2,5x16 UN16107 -1014043 - Vite M2,5x6 UN16109 -1065003 - Rosetta dia.4 UN16592 -1066001 - Rosetta dia.3 UN18842 -2012009 - Spina dia.2,5x16 UN16364A -3050007 - Boccola autolubrificante -3606217 - Resistenza 1W 470hm -3609574 - Condensatore 10uF 45V -3801010 - Microinterruttore -8V8147A - Rosetta -8V8215 - Vite a colletto -CX10-128 - Mozzo -D02138 - Isolante per micro -D02438 - Morsettiero -D06979 - Piastrino -D06980 - Isolante termico -D09390 - Motoriduttore 24V 50/60Hz -D10182 - Piastrina -910185 - Camma comando -310186 - Canno premimicro -110189 - Copertura -110197 - Blocchetto -110198 - Piastrino innesto -110199 - Molla -D10403 - Perno -110600 - Supporto -D10601 - Lsvo -110604 - Serrondo completa	-1001001 - M3x6 UN15931 screw -1001002 - M3x8 UN15931 screw -1001003 - M3x10 UN15931 screw -1001004 - M3x12 UN15931 screw -1001006 - M3x16 UN15931 screw -1001010 - M4x6 UN15931 screw -1007006 - M4x8 UN15929 screw -1011066 - M2,5x16 UN16107 screw -1014043 - M2,5x6 UN16109 screw -1065003 - Dia.4 UN16592 washer -1066001 - Dia.3 UN18842 washer -2012009 - Dia.2,5x16 UN16364A spindle -3050007 - Bushing -3606217 - 1W 470hm resistor -3609574 - 10uF 45V capacitor -3801010 - Microswitch -8V8147A - Washer -8V8215 - Screw -CX10-128 - Hub -D02138 - Insulating washer -D02438 - Terminal boards -D06979 - Plate -D06980 - Heat shield -D09390 - Motor & gear box -D10182 - Plate -D10185 - Cam -D10186 - Cam -D10189 - Cover -D10197 - Block -D10198 - Plate -D10199 - Spring -D10403 - Spindle -D10600 - Bracket -D10601 - Lever -D10604 - Dowser assembly	-1001001 - Vis M3x6 UN15931 -1001002 - Vis M3x8 UN15931 -1001003 - Vis M3x10 UN15931 -1001004 - Vis M3x12 UN15931 -1001006 - Vis M3x16 UN15931 -1001010 - Vis M4x6 UN15931 -1007006 - Vis M4x8 UN15929 -1011066 - Vis M2,5x16 UN16107 -1014043 - Vis M2,5x6 UN16109 -1065003 - Rondelle diam4 UN16592 -1066001 - Rondelle diam3 UN18842 -2012009 - Axe diam.2,5x16 UN16364A -3050007 - Douille -3606217 - Rdsistance 1W 470hm -3609574 - Condensateur 10uF 45V -3801010 - Micro-interrupteur -8V8147A - Rondelle -8V8215 - Vis -CX10-128 - Moyeu -D02138 - Isolant pour micro -D02438 - Bonier -D06979 - Plaque -D06980 - Protection chaleur -D09390 - Moto-réducteur -D10182 - Plaquette -D10185 - Came comonde -D10186 - Came -D10189 - Couvercle -D10197 - Bloc -D10198 - Ploquette -D10199 - Ressort -D10403 - Axe -D10600 - support -D10601 - Levier -D10604 - Volet complet



LANTERNA ZX8000H

Serranda automatica

Automatic dowsler

Di s.D10445-12

D10534

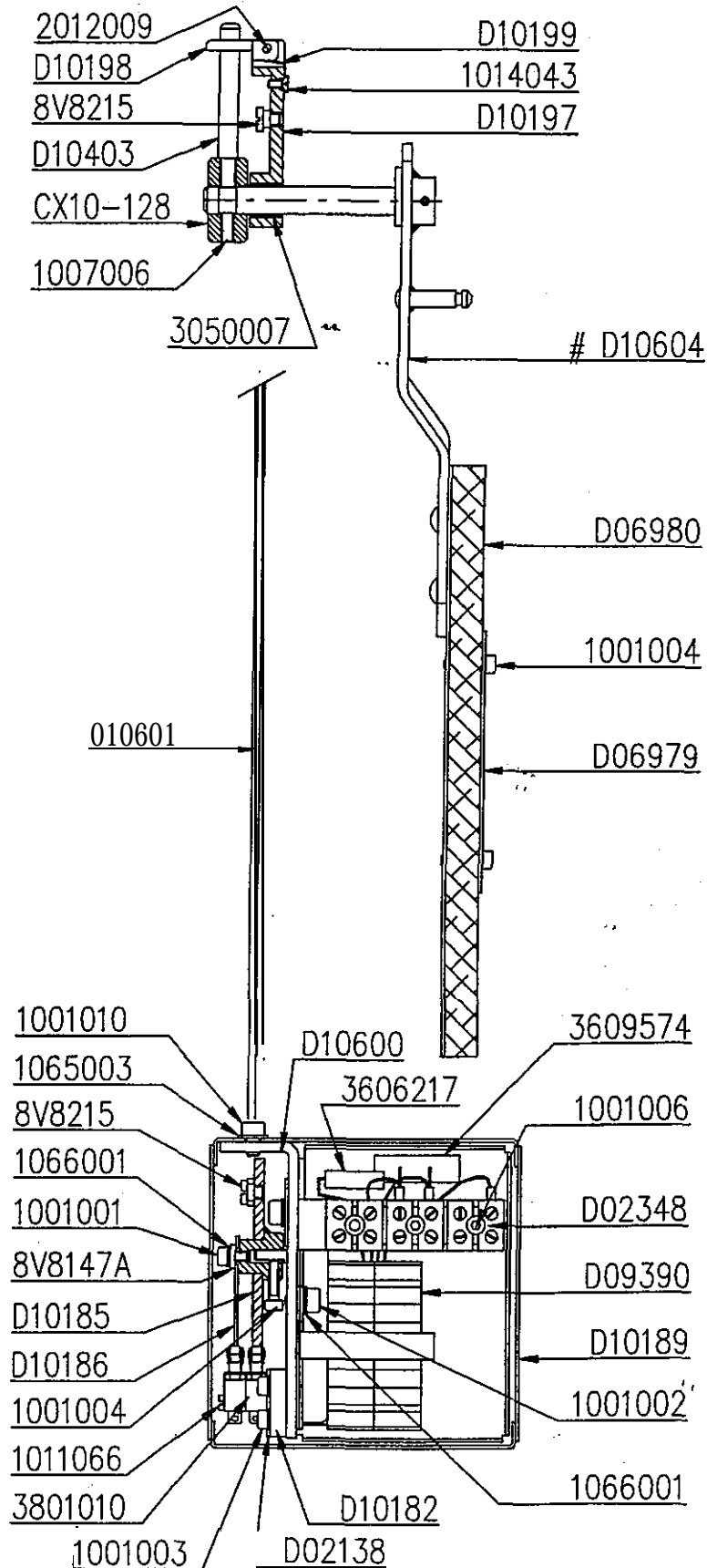


Fig.1 2

segnato	Data	Aggiornato	
MC	15-03-99		Scala



LANTERNA ZX8000H

Pannello' di controllo

Control panel

Dis. D10445-11

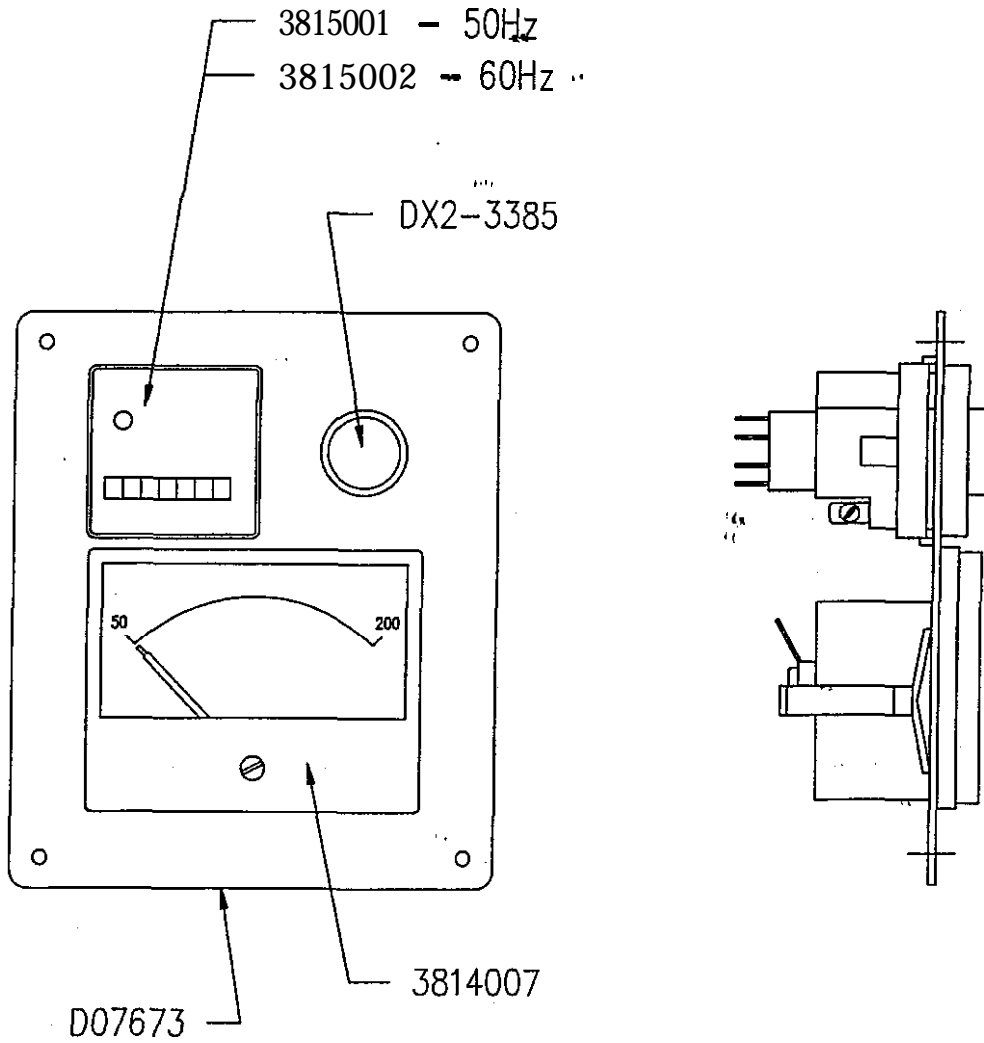


FIG. 1 1

01784

LANTERNA ZX8000H

Fig.9

Spia cratere lampada	Sight window	Verre teinté de visée
-01785 - Cornice -01786 - Vetro -2003032 - Anello elastico d. 38 UN13653 -2004019 - Anello elastico d. 32 UN13654 -2005021 - Anello elastico	-01785 - Frame -01786 - Glass -2003032 - Dia.38mm UN13653 circlip -2004019 - Dia.32mm UN13654 circlip -2005021 - □ ostic ring	-01785 - Cadre -01786 - Verre -2003032 - Bague Blastique dia. 38 UN13653 -2004019 - Bague élastique dia. 32 UN13654 -2005021 - Bague élastique

LANTERNA ZX8000H

Fig.1 0

Derivatore	Shunt	Dérivateur
I003010 - Vite M4x20 UN15933 I051003 - Dado esag.M4 UN15588 I066002 - Rosetta d.4 UN18842 1602091 - Capocorda 1637004 - Derivatore 150A 45mV 1637005 - Derivatore 200A 45mV D08671 - Tubetto di bloccaggio	-1003010 - M4x20 UN15933 screw -1051003 - M4 UN15588 nut -1066002 - Dia.4 UN18842 washer -3602091 - Terminal lug -3637004 - 150A 45mV shunt -3637005 - 200A 45mV shunt -D08671 - Locking tube	-1003010 - Vis M4x20 UN15933 -1651003 - Ecrou M4 UN15588 -1066002 - Rondelle dia.4 UN18842 -3602091 - Cosse -3637004 - Dérivateur 150A 45mV -3637005 - Dérivateur 200A 45mV -D08671 - Tube de fixation

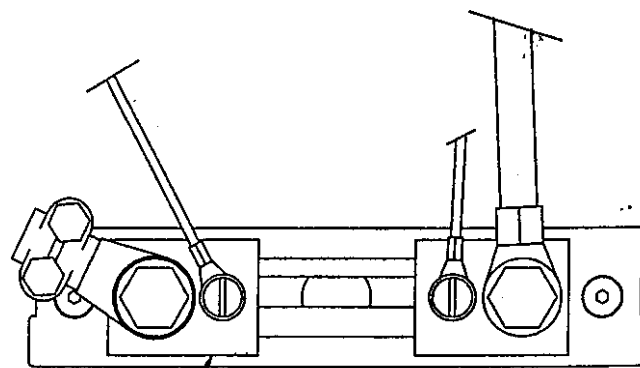
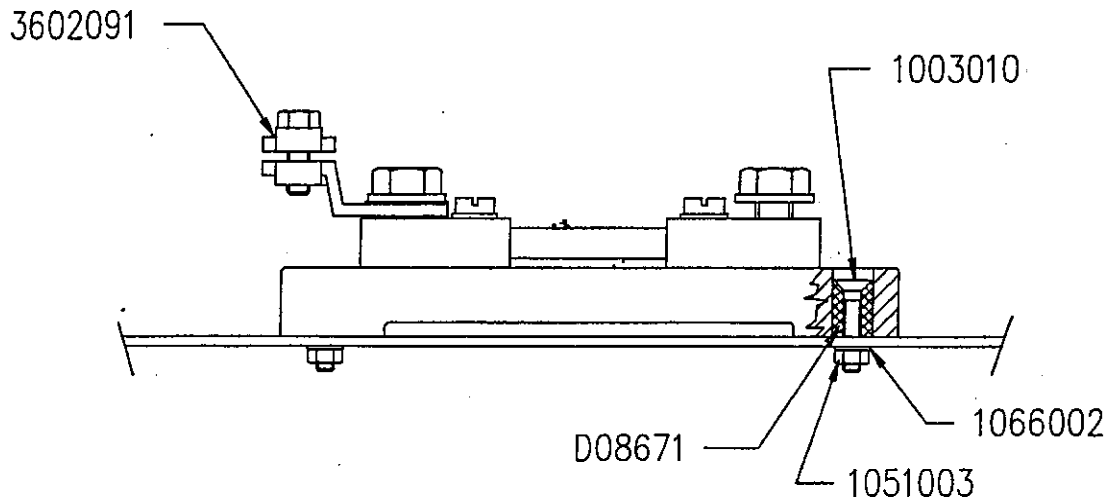


LANTERNA ZX8000H

Derivatore

Shunt

Dis. D10445-1



- 3637004 (150A 45mV)
- 3637005 (200A **45mV**)

FIG. 10



LANTERNA ZX8000H

Spia cratere lampada

Sight window

Dis. D10445-9

01784

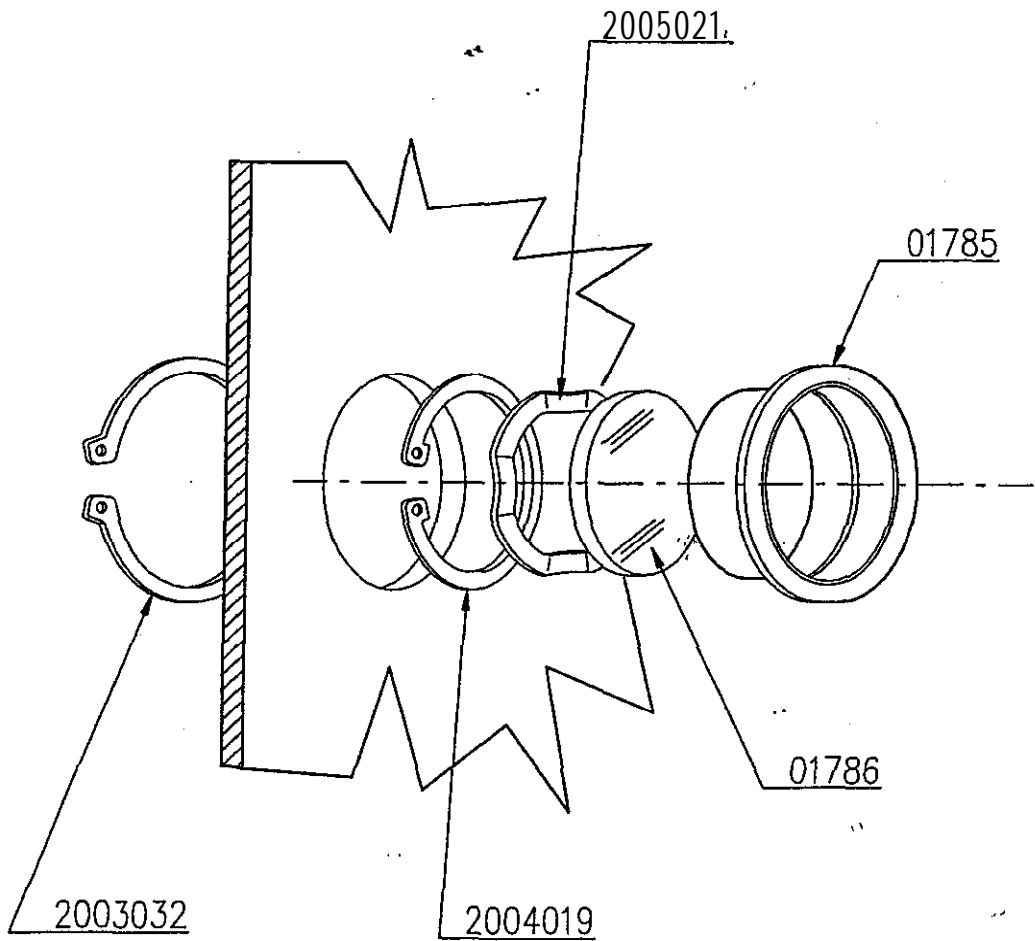


FIG.9

Disegnato	Data	Agglomerato	
MC	11-03-99		Scala

D10530

LANTERNA ZX8000H

Fig.7

Dispositivo portalampada	Lampholder assembly	Ensemble portelampe
-00570 - Vite morsetto	-00570 - Screw	-00570 - vis
-00572 - Rosetta	-00572 - Washer	-00572 - Rondelle
-00706-5 - Rosetta	-00706-5 - Washer	-00706-5 - Rondelle
-00863-4 - Disco supporto morsetto	-00863-4 - Clamp holder disc	-00863-4 - Disque support borne
-00863-6 - Morsetto lampada	-00863-6 - Bulb clamp	-00863-6 - Dome lampe
-00863-g - Vite a punta	-00863-g - Point screw	-00863-g - Vis pointeau d'articulation
-00863-14 - Frizione per vite	-00863-14 - Adjustment screw	-00863-14 - Frein de la vis de réglage
-1001004 - Vite M3x12 UNI 5931	-1001004 - M3x12 UNI 5931 screw	-1001004 - Vis M3x12 UNI 5931
-1001008 - Vite M3x16 UNI 5931	-1001006 - M3x16 UNI 5931 screw	-1001006 - Vis M3x16 UNI 5931
-1001012 - Vite M4x10 UNI 5931	-1001012 - M4x10 UNI 5931 screw	-1001012 - Vis M4x10 UNI 5931
-1001016 - Vite M4x18 UNI 5931	-1001016 - M4x18 UNI 5931 screw	-1001016 - Vis M4x18 UNI 5931
-1001017 - Vite M4x20 UNI 5931	-1001017 - M4x20 UNI 5931 screw	-1001017 - Vis M4x20 UNI 5931
-1001027 - Vite M5x16 UNI 5931	-1001027 - M5x16 UNI 5931 screw	-1001027 - Vis M5x16 UNI 5931
-1002001 - Vite M4x8 UNI 5931	-1002001 - M4x8 UNI 5931 screw	-1002001 - Vis M4x8 UNI 5931
-1051002 - Dado esag.M3 UNI15588	-1051002 - MB UNI15588 nut	-1051002 - Ecrou MB UNI15588
-1051005 - Dado esag.M6 UNI15588	-1051005 - MB UNI15588 nut	-1051005 - Ecrou MB UNI15588
-1065003 - Rosetta dia.4 UNI16592	-1065003 - Dia.4 UNI16592 washer	-1065003 - Rondelle dia.4 UNI16592
-1066002 - Rosetta dia.4 UNI18842	-1066002 - Dia.4 UNI18842 washer	-1066002 - Rondelle dia.4 UNI18842
-1066003 - Rosetta dia.5 UNI18842	-1066003 - Dia.5 UNI18842 washer	-1066003 - Rondelle dia.5 UNI18842
-1066005 - Rosetta dia.8 UNI18842	-1066005 - Dia.8 UNI18842 washer	-1066005 - Rondelle dia.8 UNI18842
-2001010 - Anello arresto dia.7	-2001010 - Dia.7 retaining ring	-2001010 - Rondelle d'arrêt dia.7
-3050008 - Boccia autolubrificante	-3050008 - Bushing	-3050008 - Douille
-CX5-217 - Perno aggancio molla	-CX5-217 - Spring anchoring rod	-CX5-217 - Axe de retenue du ressort
-000686 - Perno guida	-000686 - Guide rod	-000686 - lige
-D00688 - Piastra	-D00688 - Plate	-D00688 - Plaque
-D00689 - Supporto orientabile compl.	-D00689 - Adjustable support ass'y)	-D00689 - Support pivotant
-D00690 - Supporto esterno	-000690 - Outside bulb holder	-000690 - Support de lampe extérieur
-D00691 - Supporto interno	-D00691 - Inside bulb holder	-D00691 - Support de lampe intérieur
-D00693 - Vite spostamento longitudin.	-000693 - Axial adjustment screw	-000693 - Vis pour déplacement longit.
-D00695 - Vite spostamento orizzont.	-000695 - Horiz. adjustment screw	-D00695 - Vis pour déplacement horiz.
-D00697 - Vite spostamento verticale	-000697 - Vert. adjustment screw	-D00697 - Vis pour de' placement vert.
-D08534 - Carrello portolampada	-008534 - Cathode damp	-D08534 - Chariot portelampe
-D10531 - Distanziale portaguida	-010531 - Spacer	-D10531 - Entretoise
-X16-2635- Vite fissaggio molla	-X16-2635- Spring screw	-X16-2635- Vis de fixation du ressort
-X16-2636- Molla	-X16-2636- Spring	-X16-2636- Ressort

D06790

LANTERNA ZX8000H

Fig.8

Terminale positivo	Positive cable assembly	Conducteur positif
-01842 - Rosetta	-01842 - Washer	-01842 - Rondelle
-1053007 - Dado esag.M10 UNI15588	-1053007 - M10 UNI15588 nut	-1053007 - Ecrou M10 UNI15588
-1066006 - Rosetto dia.8 UNI18842	-1066006 - Dia.8 UNI18842 washer	-1066006 - Rondelle dia.8 UNI18842
-1801021 - Guarnizione OR	-1801021 - O-Ring	-1801021 - Joint en caoutchouc OR
-D06792 - Asta positivo	-D06792 - Positive rod	-D06792 - Tige positive
-D06793 - Disco isolante	-D06793 - Insulating disc	-D06793 - Disque isolant



LANTERNA ZX8000H

Terminale positivo completo — Positive cable assembly

Dis. D10445-8

D06790

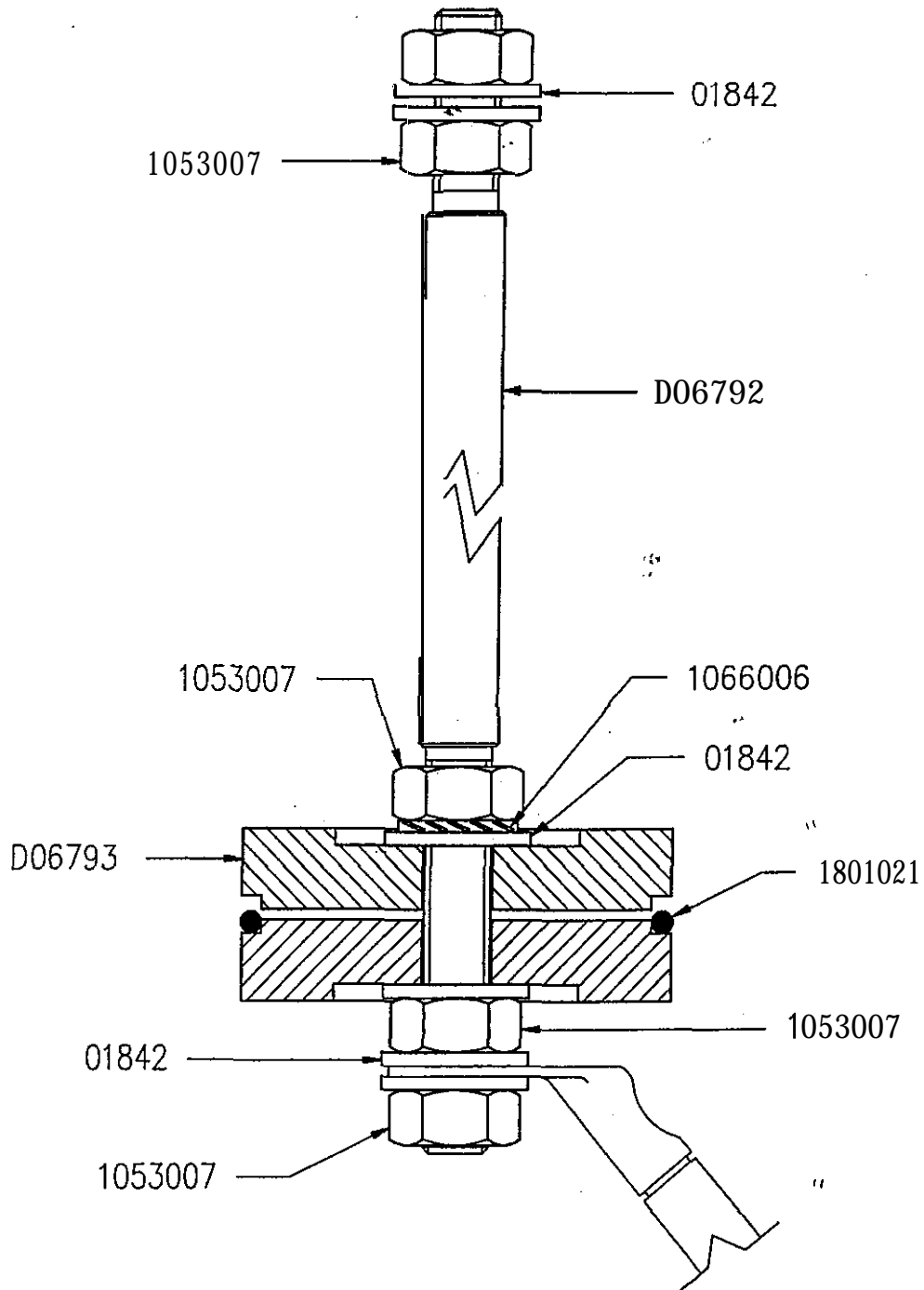


Fig. 8

Disegnato	Data	Agglomerato
MC	09-03-99	

Scala

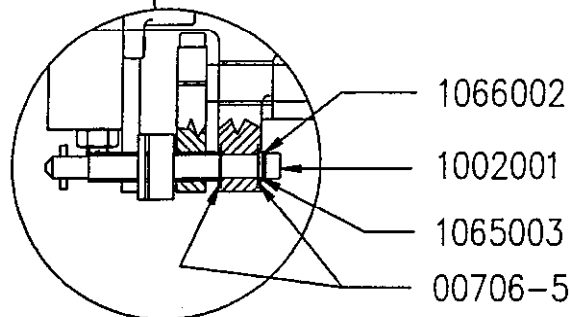
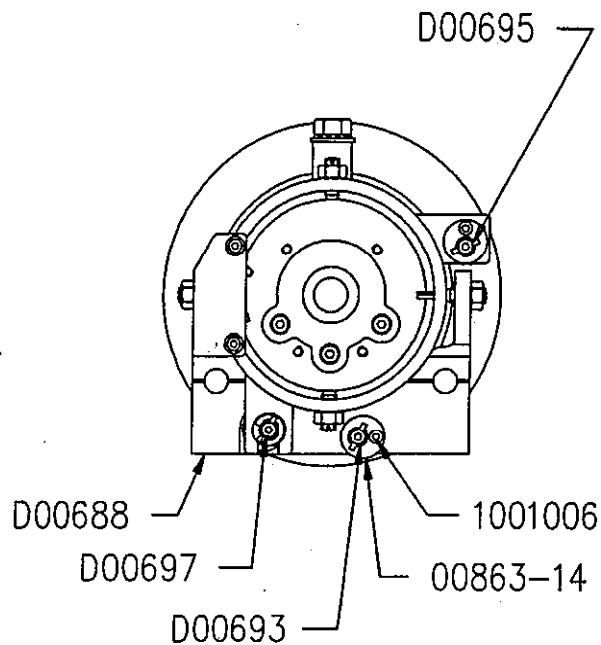
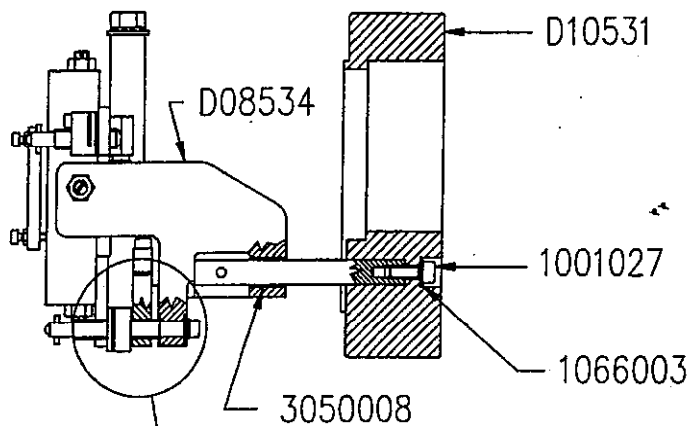


LANTERNA ZX8000H

Dispositivo portalampada — Lampholder assembly

Di s.D10445-

D10530



D00689

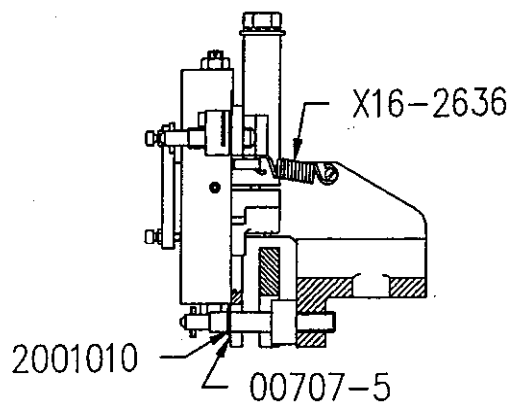
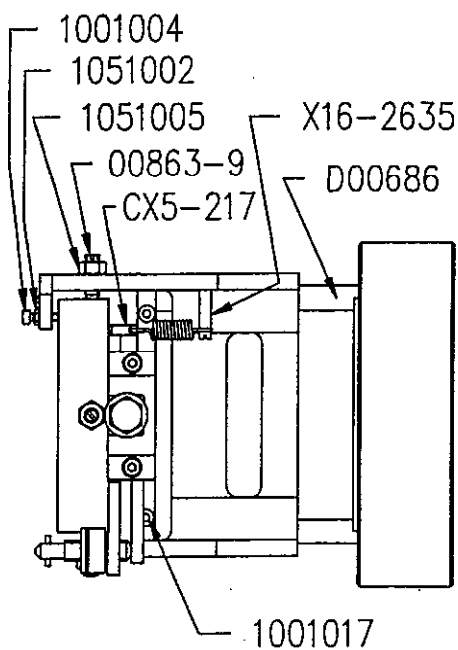
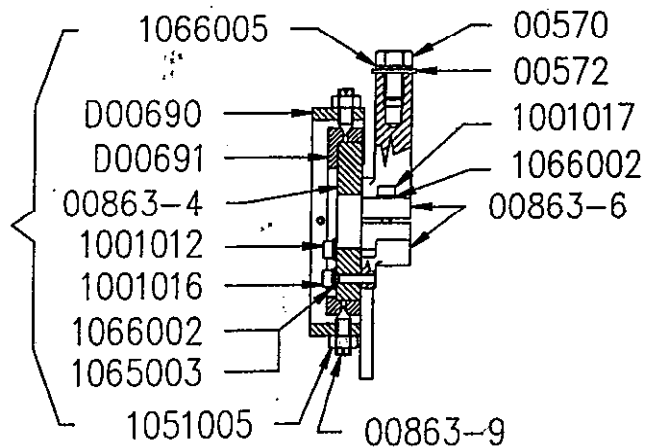


FIG.7

Disegnato Data Aggiornato

MC 09-03-99

Scala

LANTERNA ZX8000H

Fig.5

<ul style="list-style-type: none"> -00857 - Rosetta -1001046 - Vite M6x50 UN15931 -1054002 - Oado esag.M4 UN15721 -1066004 - Rosetta dia.6 UNI8842 -2604015 - Tappo in plastica -2631101 - Aggancio -2631003 - clips a mola -3620223 - Mrsettiera -3818008 - Accenditore -4801021 - Specchio freddo dia.340 -D01449 - Supporto forcella completo -D03694 - Tazza portasp specchio dia.340 -D03695 - Anello tenuta specchio -D04030 - Molla -D06795 - Tubo in plastica -D06926 - Appt. magnete(A richiesta) -D07740 - Isolante termico -D08455 - Isolante termico -008456 - Protezione calore -D08708 - Tirante tissaggio accenditore -D10475 - Isolante termico -D10335 - Cavo negativo completo -D10808 - Cavo positivo completo -X65H3460 - Tubo condotto aria 	<ul style="list-style-type: none"> -00657 - Washer -1001046 - M6x50 UN15931 screw -1054002 - M4 UN15721 nut -1066004 - Dia.6 UN16642 Washer -2604015 - Plastic kork -2631101 - Clips -2631003 - Spring clamp -3620223 - Terminal board -3616006 - Electronic igniter -4601021 - Dia.346 cold light mirror -D01449 - Fork support assembly -D03694 - Mirror holder cup -D03695 - Mirror retaining ring -D04030 - Spring -D06795 - Plastic tube -D06926 - Magnet(On request) -D07740 - Heat shield -D08455 - Heat shield -D08456 - Heat shield -D08708 - Igniter fixing rod -D10475 - Heat shield -D10335 - Negative cable assembly -D10808 - Positive cable assembly -X65H3460 - Pyrex air pipe 	<ul style="list-style-type: none"> -00657 - Rondelle -1001046 - Vis M6x50 UN15931 -1054002 - Ecrou M4 UN15721 -1066004 - Rondelle dia.6 UNI8842 -2604015 - Bouchon en plastique -2631101 - Clips -2631003 - Clips a ressort -3620223 - Bornier -3618008 - Amorceur -4601021 - Miroir froid dia.340 -D01449 - Support lampe complet -D03694 - Tasse porte-miroir -D03695 - Bague de fixation miroir -D04030 - Ressort -D06795 - Tube en plastique -D06926 - Aimant(sur demande) -D07740 - Protection chaleur -D08455 - Protection chaleur -008456 - Protection chaleur -D08708 - Prisonnier de fixation -D10475 - Protection chaleur -D10335 - Cable negatif complet -D10808 - Cable positif complet -X65H3460 - Tube conduit air
--	--	--

LANTERNA ZX8000H

Fig.6

Interruttore ventilazione	Blower safety switch	Interrupteur ventilateur
<ul style="list-style-type: none"> 01156 - Rosetta 1001005 - Vite M3x14 UN15931 1001006 - Vite M3x16 UN15931 1051002 - Dado esag.M3 UN15566 18-6230 - Piastrina isolante CX10-184 - Squadretta D10807 - Microinterrutt.con serranda 	<ul style="list-style-type: none"> -01158 - Washer -1001005 - M3x14 UN15931 screw -1001006 - M3x16 UN15931 screw -1051002 - M3 UN15586 nut -18-6230 - Insulating plate -CX10-184 - Bracket -D10807 - Microswitch assembly 	<ul style="list-style-type: none"> -01158 - Rondelle -1001005 - Vis M3x14 UN15931 -1001006 - Vis M3x16 UN15931 -1051002 - Ecrou M3 UN15566 -18-6230 - Isolant -CX10-184 - support -D10807 - Micro-interrupteur complet



LANTERNA ZX8000H

Interruttore sicurezza ventilazione -- Blower safety switch

Dis. D10445-6

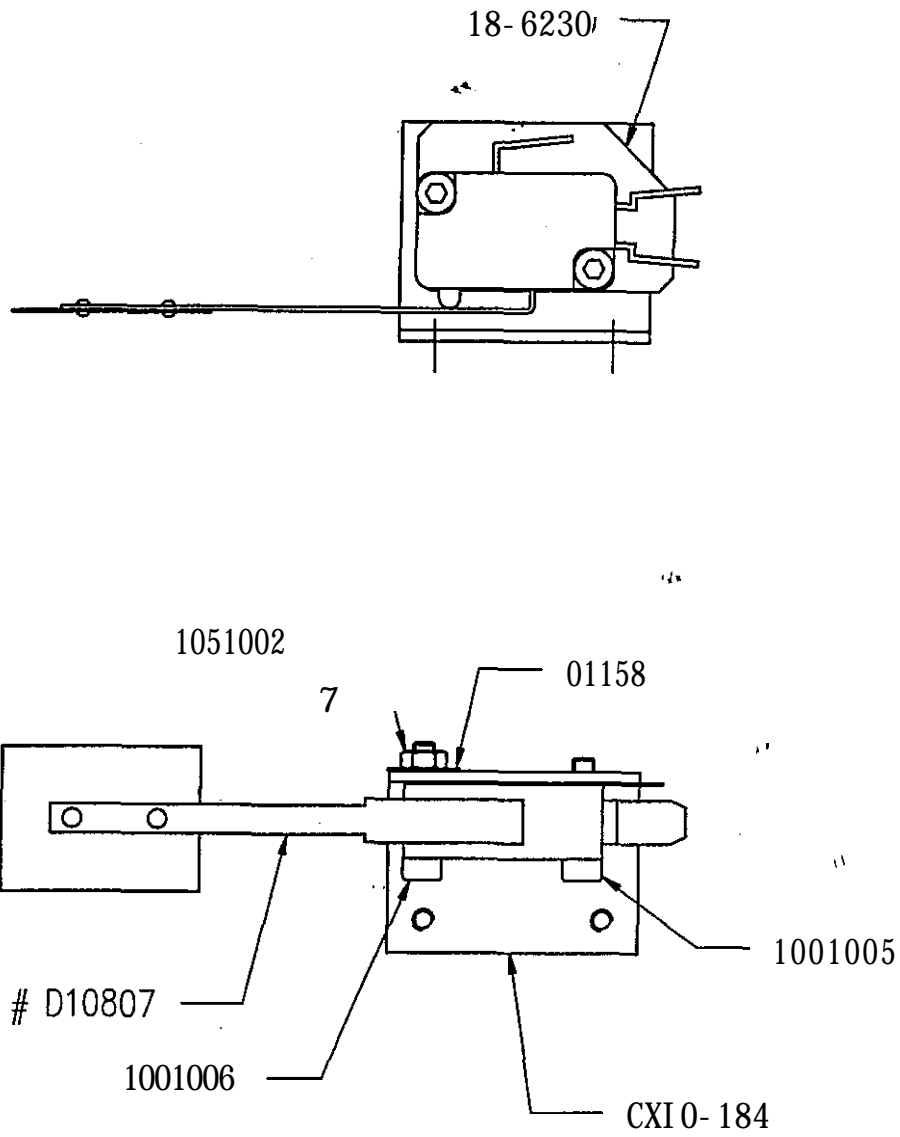


Fig.6

Disegnato	Data	Aggiornato
-----------	------	------------

MC	w-03-99	
----	---------	--

Scala



LANTERNA ZX8000H

Di s. D10445-5

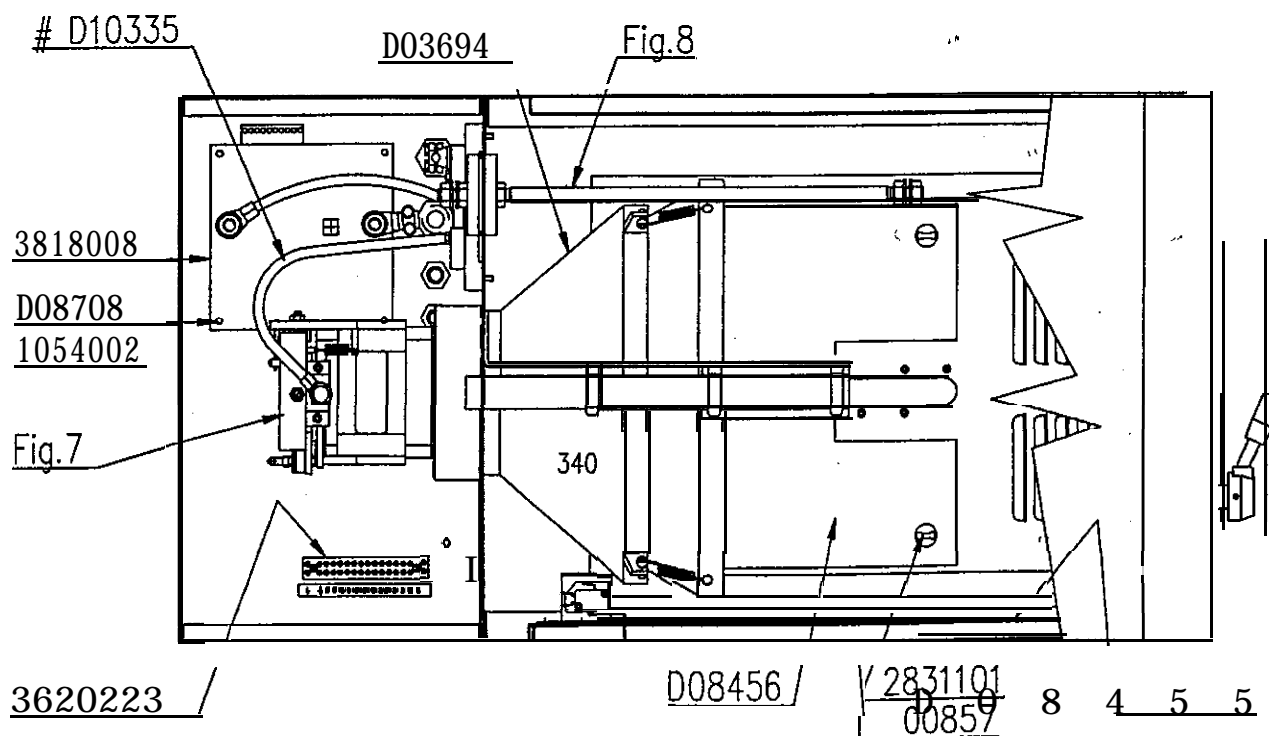
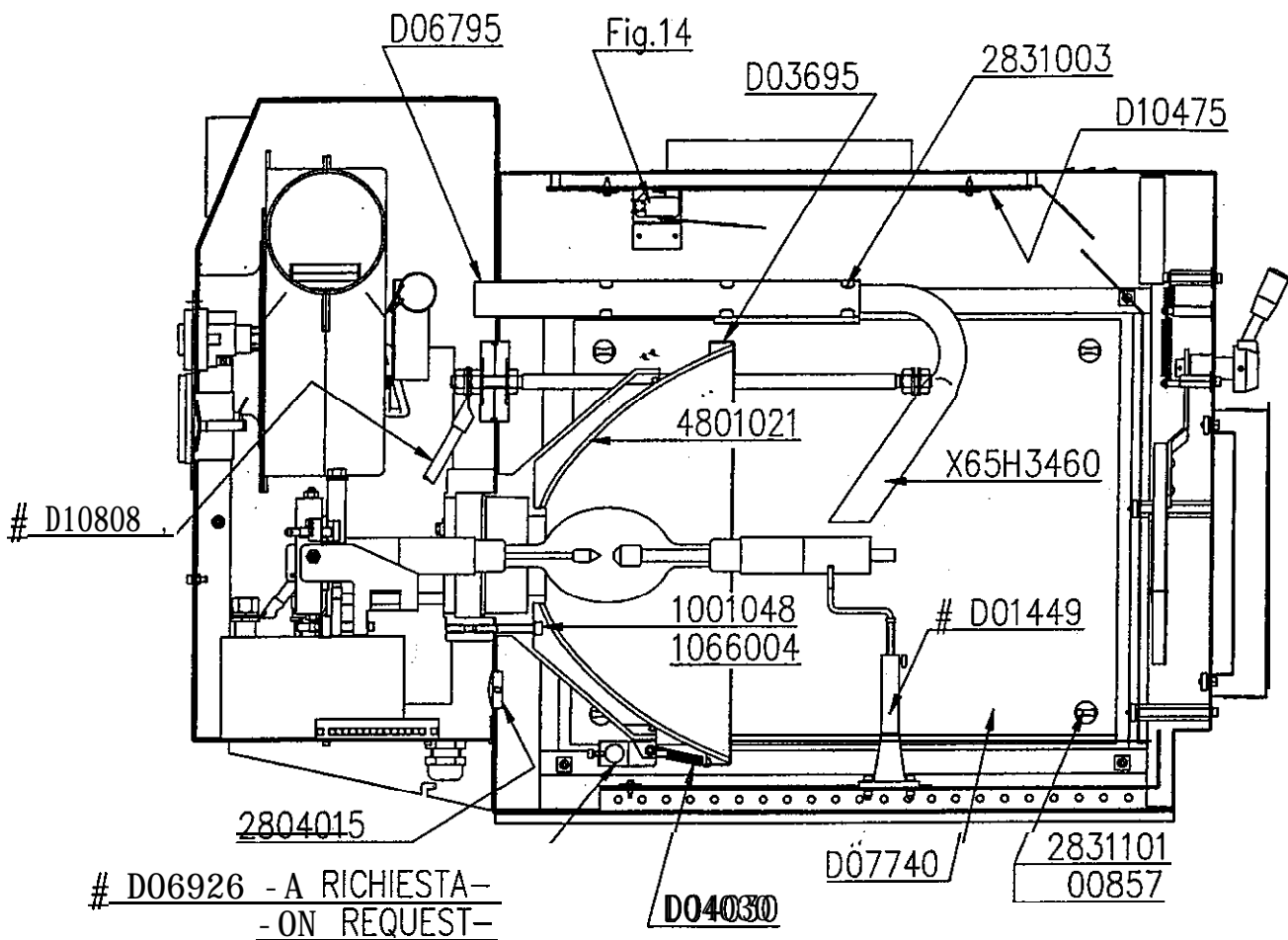


Fig. 5

Disegnato	Data	Agglomerato	
MC	05-02-99		Scala

